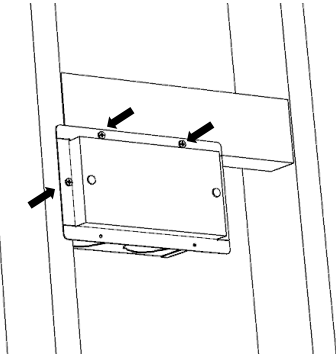
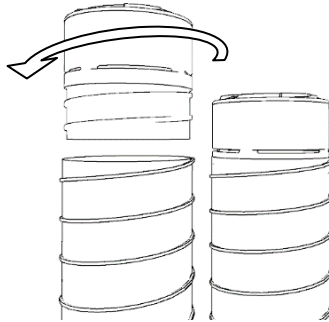


For ComfoFlex (gray fabric) ducts. See alternate instructions for ComfoTube (white plastic) ducts.

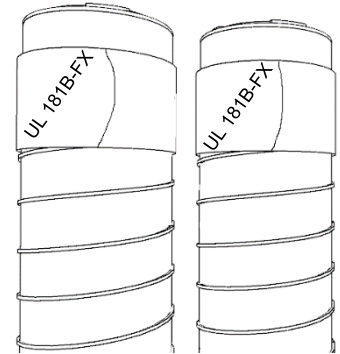
1. Fasten flange to rough framing with screws or nails in 3 locations (install blocking as necessary). Ensure duct connections are accessible around framing.



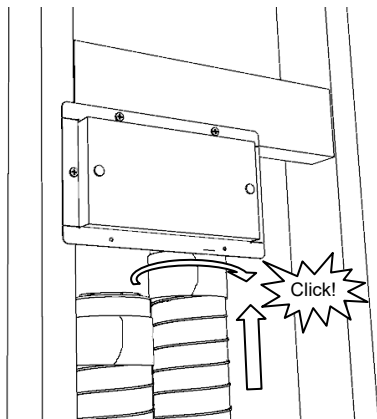
2. Twist black plastic connectors into ComfoFlex ducts until tight. (DO NOT install connectors in metal boot before connecting ComfoFlex!)



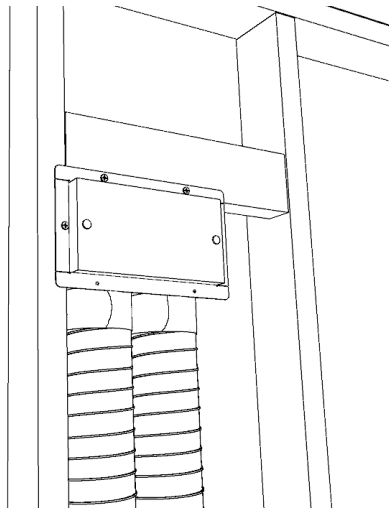
3. Seal end of ComfoFlex ducts to connector with UL 181B-FX tape. Cover slots in connectors with tape to avoid leaks.



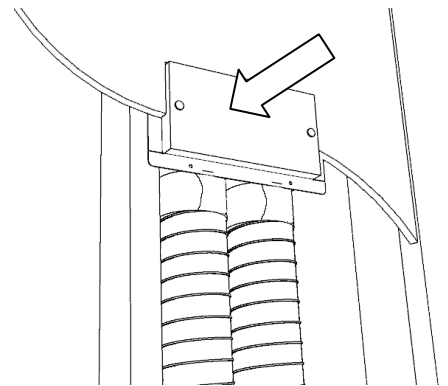
4. Insert connector into opening in metal boot and turn clockwise until it locks into place with a “click”.



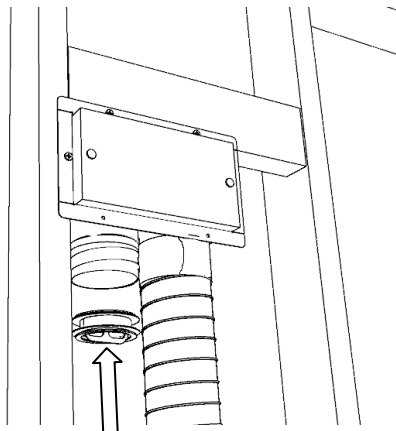
5.



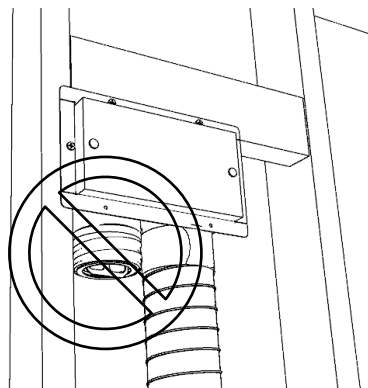
6. Cut drywall to fit around dust cover. Keep dust cover installed throughout construction!



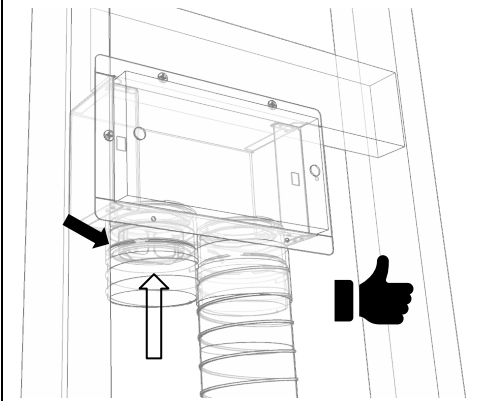
7. If only one duct is required for the installation, press the red plug into the unused connector.



8. The red plug must not be left flush with the end of the black connector. This will allow air to leak through the slots in the connector.

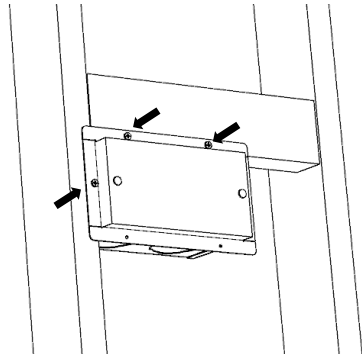


9. Press the red plug all the way in until it bottoms out inside the connector. It must be past the slots in the connector.

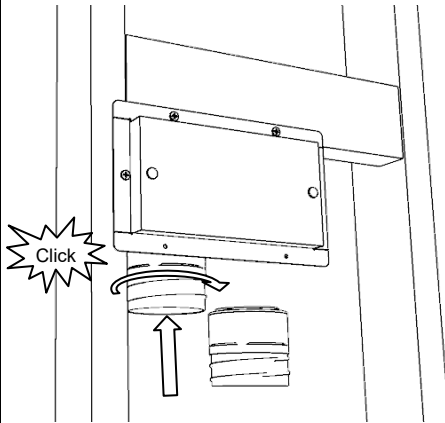


For ComfoTube (white plastic) ducts. See alternate instructions for ComfoFlex (gray fabric) ducts.

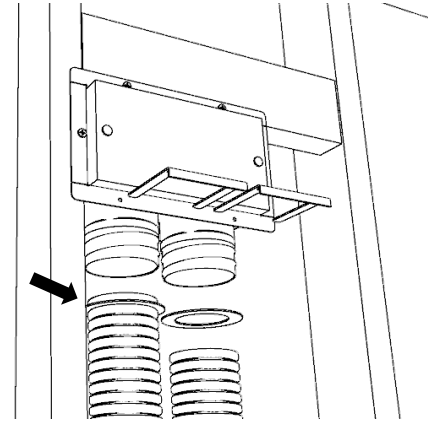
1. Fasten flange to rough framing with screws or nails in 3 locations (install blocking as necessary). Ensure duct connections are accessible around framing.



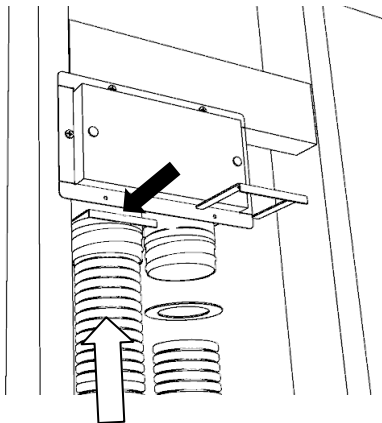
2. Insert connector into opening in metal boot and turn clockwise until it locks into place with a "click".



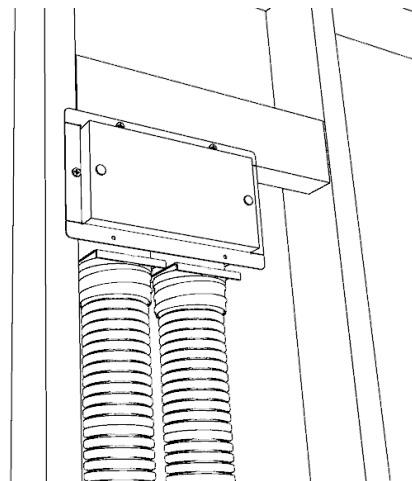
3. Install black rubber "O-ring" over last full groove on end of ComfoTube.



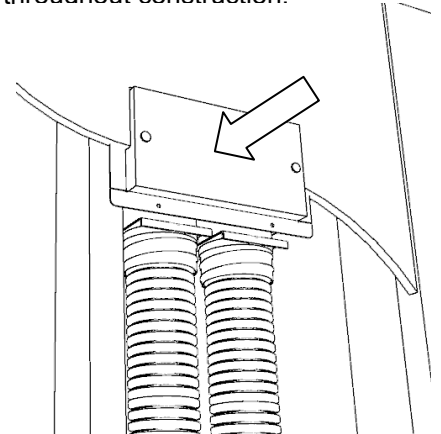
4. Insert ComfoTube with O-ring all the way into the plastic connector and press retaining clip fully into grooves.



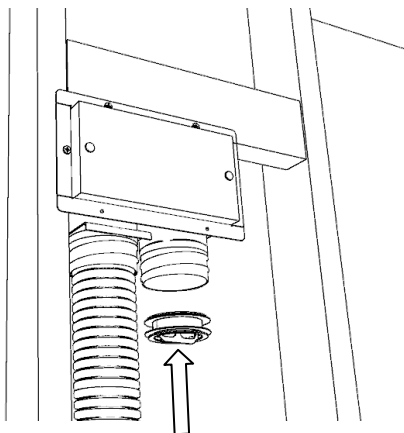
5.



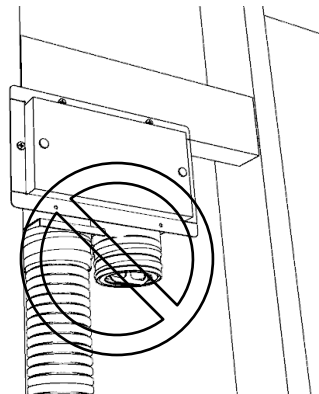
6. Cut drywall to fit around dust cover. Keep dust cover installed throughout construction!



7. If only one duct is required for the installation, press the red plug into the unused connector.



8. The red plug must not be left flush with the end of the black connector. This will allow air to leak through the slots in the connector.



9. Press the red plug all the way in until it bottoms out inside the connector. It must be past the slots in the connector.

