

always the
best climate

zehnder

Silencer and Distribution System

Zehnder ComfoWell 520

Benefits

- All air treatment functions available: silencer, fine filter, active carbon filter, manifold box
- Modular design
- Compact dimensions
- Easy to clean
- Components connected with sliding profiles for easy mounting
- Pipes connected by end pieces with sleeves
- Directly connected to all components of the ComfoWell system
- Very good sound absorption
- Two silencer can be used in series for maximum sound reduction
- Mounting set available for vertical mounting of attenuators on ComfoAir 350, ComfoAir 550
- High-efficiency fine filters up to filter class MERV15 available
- Odor neutralisation by active carbon filter available
- Components available in width of 20.5" to connect 10 ComfoTubes

Article number

Designation	Art. no.	Reference No
Silencer CW-S 520	990 323 502	9320
Manifold box CW-D 520	990 323 532	9332
Filter housing CW-F 520	990 323 552	9334



ComfoWell silencer



ComfoWell manifold box



ComfoWell filter housing

always the
best climate

zehnder

Silencer and Distribution System

Zehnder ComfoWell 520

Description

Silencer

Zehnder ComfoWell silencer CW-S 520. Compact rectangular silencer with high-efficiency special sound absorbing foam and low pressure losses. The silencer can be used on its own or in combination with any add-on from the ComfoWell system. It is connected to all add-ons with a folded joint and clamping rail to create an airtight seal. The sound absorbing element can be removed for inspection and cleaning. The silencer is mounted on a wall or ceiling with height-adjustable mounting brackets. Mounting accessories are supplied with the unit.

Technical data:

Insertion loss: 13.1 dB / 250 Hz

Housing: Galvanised steel

Silencer element: Sound absorbing foam with hygienic coating

Dimensions:

Length: 19.7"

Depth: 20.5"

Height: 9.0"

Manifold box

Zehnder ComfoWell Manifold Box CW-D 520. Compact sound-absorbing manifold box with closed-cell, silencer inner lining, fits mounting plate for ComfoTube 10 x 3" (75) or 6 x ComfoFlex 75 ventilation pipes. The mounting plate connection can be moved from the front to the side. The manifold box can be used on its own or in combination with any add-on. It is connected to all add-ons with a folded joint and clamping rail to create an airtight seal. The manifold box features an access panel for easy cleaning and adjustment of the ComfoTube ventilation pipes. Mounting accessories are supplied with the unit.

Material: Galvanised steel

Length: 9.0"

Width: 20.5"

Height: 9.0"

Filter housing

Zehnder ComfoWell Filter Housing CW-F 520. Compact filter housing for mounting in supply line, to accommodate pollen filter MERV15 or active carbon filter element. Filter elements are not supplied with the unit. The manifold box can be used on its own or in combination with any add-on from the ComfoWell system. It is connected to all add-ons with a folded joint and clamping rail to create an airtight seal. It is mounted with adjustable mounting brackets; mounting accessories are included.

Material: Galvanised steel

Dimensions:

Length: 11.8"

Width: 20.5"

Height: 9.0"

always the
best climate

zehnder

Silencer and Distribution System

Zehnder ComfoWell 520

Specifications

Material:

Housing: Galvanised steel

Inner lining: Closed-cell melamine resin foam

Permissible operating temperature range: -13°F to 140°F

Maximum airflow: 235 cfm at normal ventilation level

Accessories

Designation	Art. no.	Reference No
Mounting plate CW-M 520 T	990 323 672	9592
End plate CW-P 520 – 7" (180)	990 323 513	9323
End plate CW-P 520 – 7.9" (200)	990 323 514	9324
Mounting set CW-K 520 – CA 350	990 323 518	9326
Mounting set CW-K 520 – CA 550	990 323 519	9327
Fine dust filter CW-MERV13 520	990 323 606	9336
Fine dust filter CW-MERV15 520	990 323 607	9344
Active carbon filter CW-FC 520	990 323 608	9356

Description of accessories

Mounting plate:

Zehnder ComfoWell Mounting Plate CW-M520-10 x 75 for connecting 10x Zehnder ComfoTube 75 or 6 x ComfoFlex 75 ventilation pipes. Supplied with guard, clamp rails, 3 plugs and ports.

End plate:

Zehnder ComfoWell End Plate CW-P 520 - 7" (180) and 7.9" (200) (with central support) for connecting the ComfoWell attenuator and distribution system to a 7" (180) or 7.9" (200) round duct. Clamping rails included.

Mounting set:

A special mounting set is available for the Zehnder ComfoWell 520 silencer and distribution system for direct mounting on the ComfoAir 350 / ComfoAir 550 ventilation unit. The set includes all the necessary accessories (screws, brackets and mounting brackets).

Filter:

Filter for mounting in filter housing CW-F 520. Available filter classes include MERV13, MERV15 and an active carbon filter for odor neutralisation.



Mounting plate



End plate



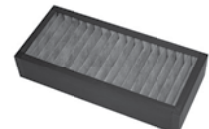
Mounting set



Fine dust filter MERV13



Fine dust filter MERV15



Active carbon filter FC

always the
best climate

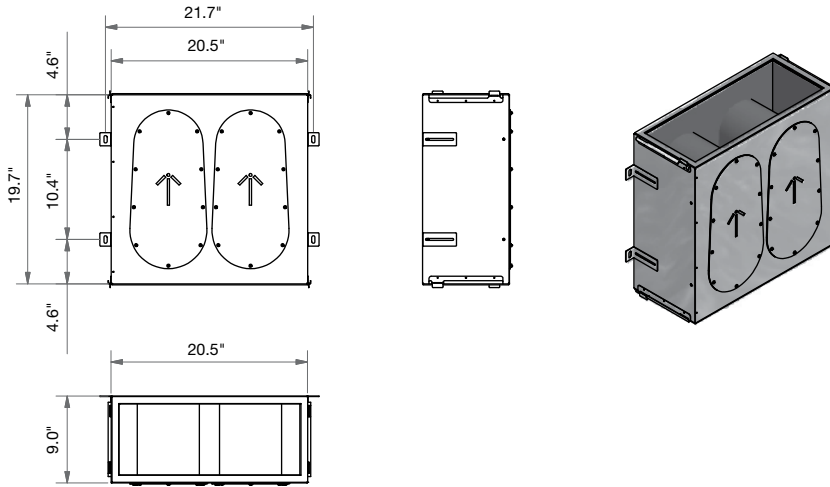
zehnder

Silencer and Distribution System

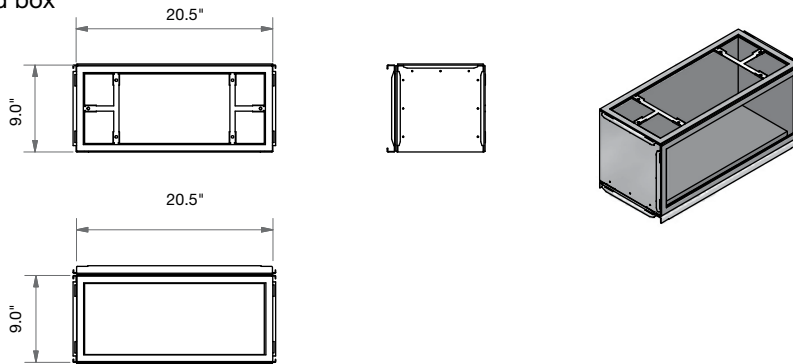
Zehnder ComfoWell 520

Dimensional drawings

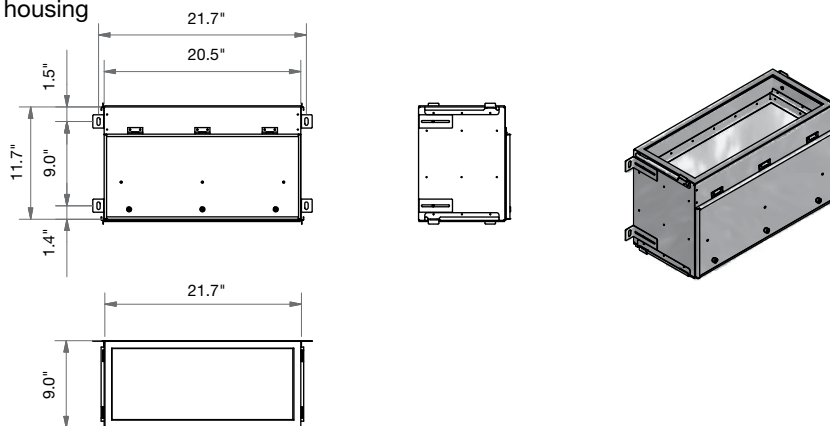
Silencer



Manifold box



Filter housing



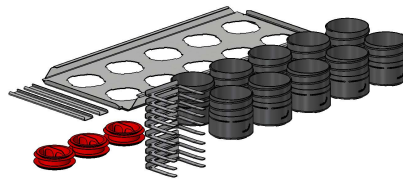
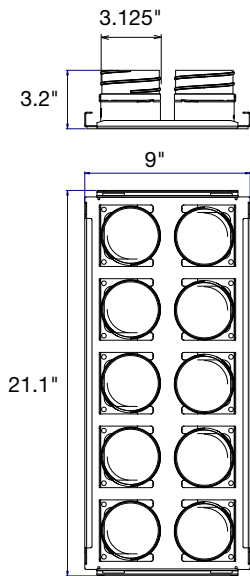
always the
best climate

zehnder

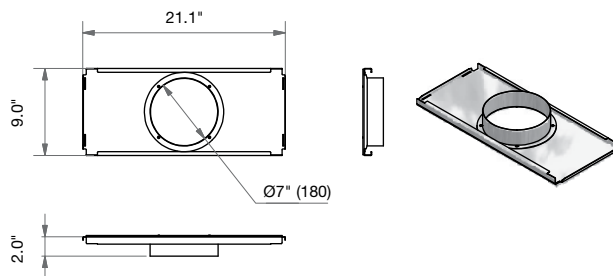
Silencer and Distribution System

Zehnder ComfoWell 520

Mounting plate



End plate



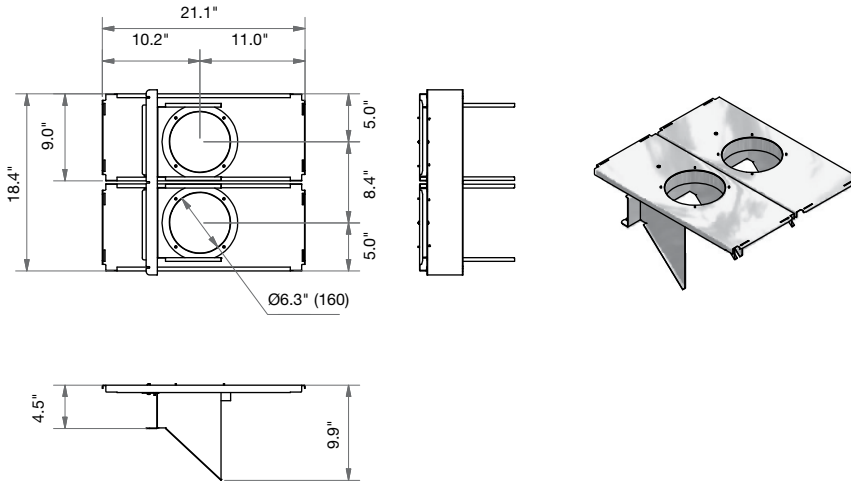
always the
best climate

zehnder

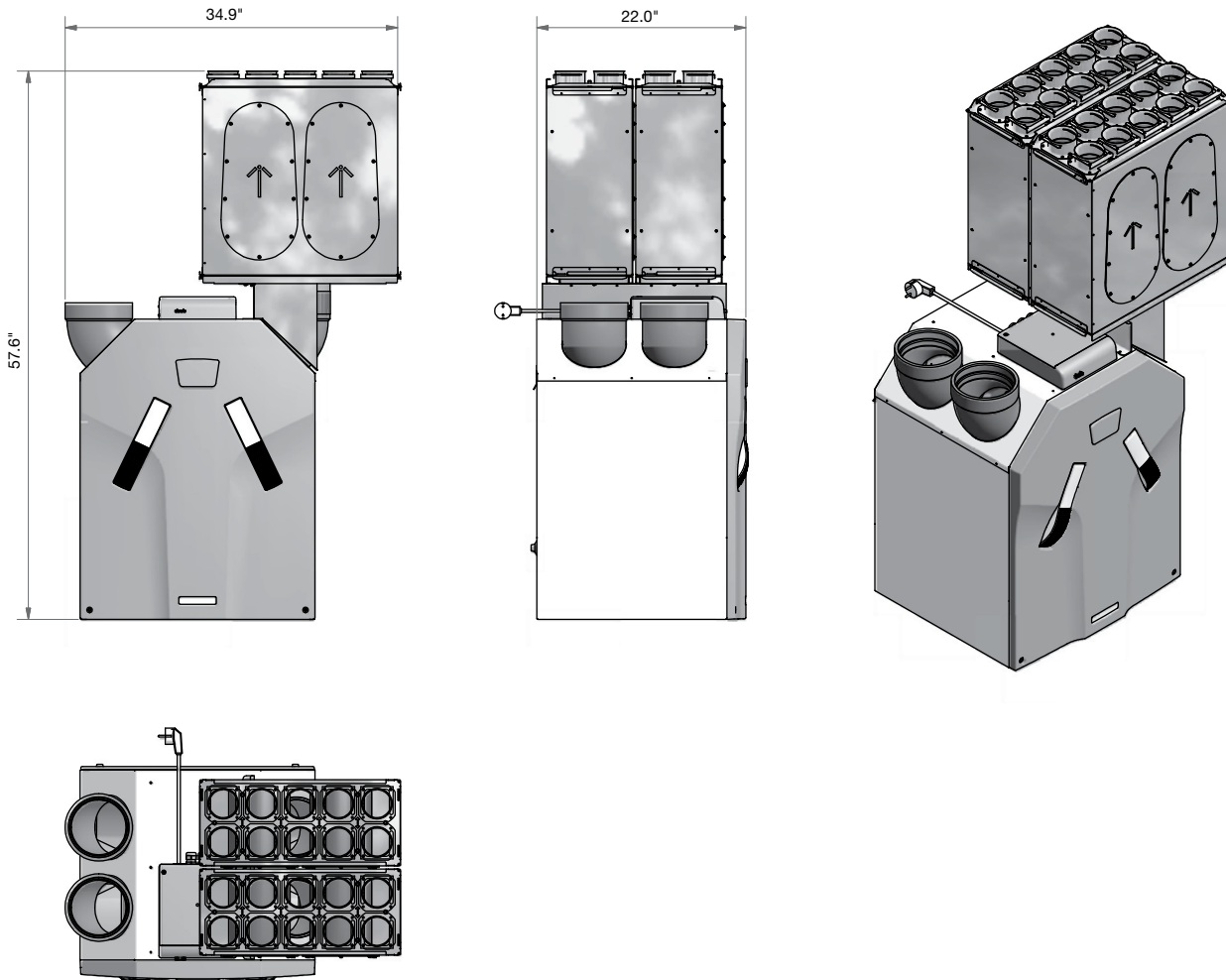
Silencer and Distribution System

Zehnder ComfoWell 520

Mounting set CA 350



ComfoAir 350 with mounting set (Right hand configuration shown)



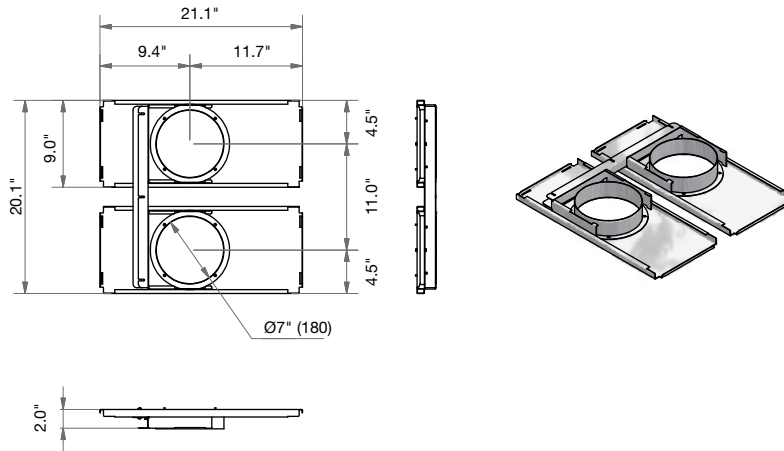
always the
best climate

zehnder

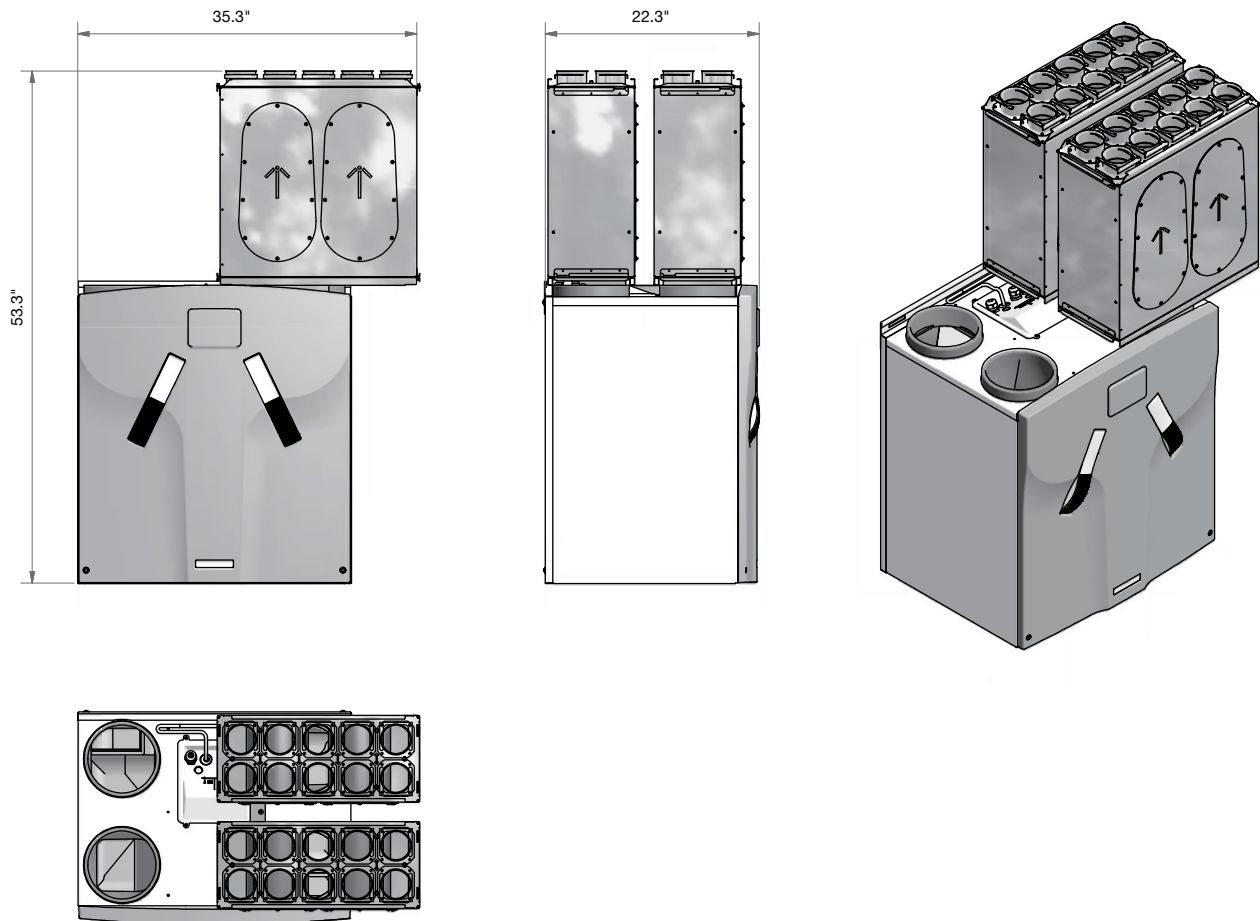
Silencer and Distribution System

Zehnder ComfoWell 520

Mounting set CA 550



ComfoAir 550 with mounting set (Right hand configuration shown)



always the
best climate

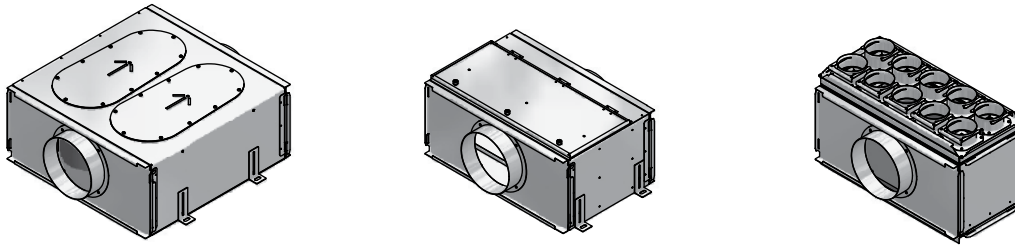
zehnder

Silencer and Distribution System

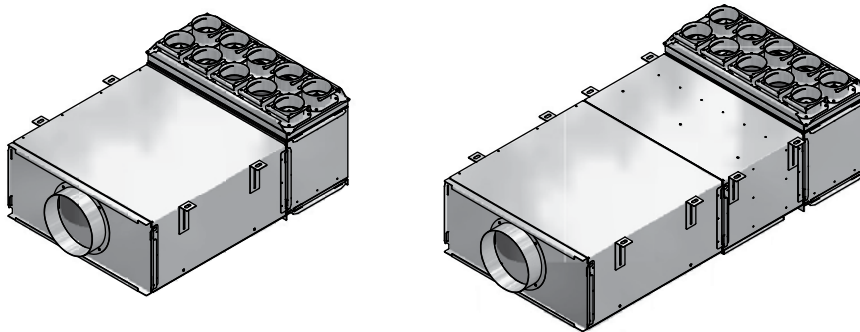
Zehnder ComfoWell 520

Usage scenarios

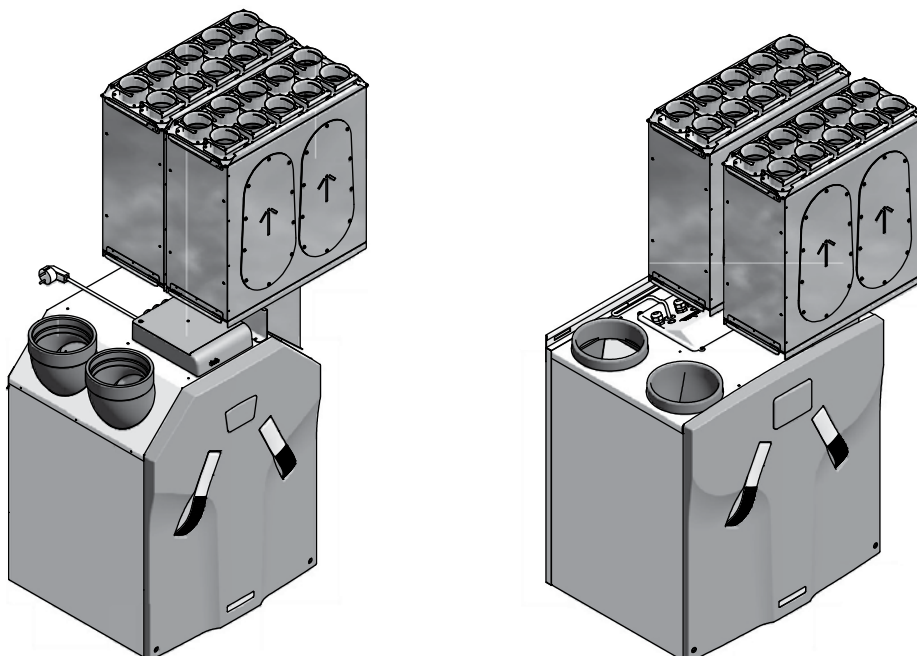
Standalone



Combined



Compact with ventilation unit



always the
best climate

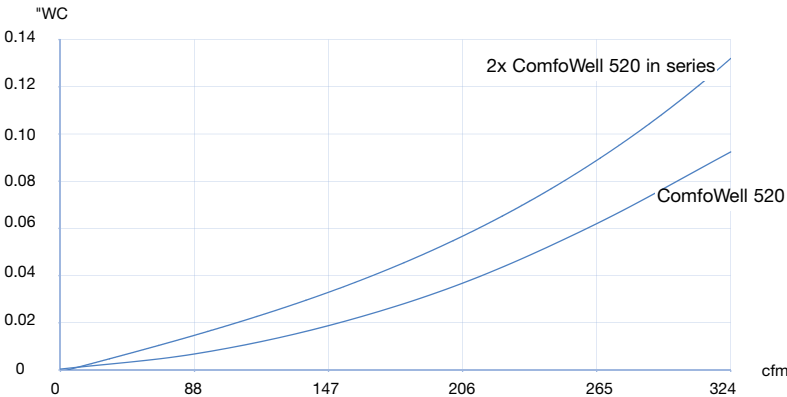


Silencer and Distribution System

Zehnder ComfoWell 520

Pressure losses

ComfoWell silencer CW-S520 with end plate CW-P520 - 7" (180)



Insertion loss

1x end plate CW-P520 - 6.3" (100)/7.0" (180) + 1x silencer CW-S520 + 1x end plate CW-P520 - 6.3" (100)/7.0" (180)

Frequency Hz	63	125	250	500	1000	2000	4000	8000
Connection 6.3" (100) [dB]	6.1	12.7	16.4	16.7	24.4	26.2	28.5	20
Connection 7.0" (180) [dB]	8.3	11	13.1	15.5	25.1	25.9	27.2	19.4

1x end plate CW-P520 - 6.3" (100)/7.0" (180) + 2x silencers CW-S520 + 1x end plate CW-P520 - 6.3" (100)/7.0" (180)

Frequency Hz	63	125	250	500	1000	2000	4000	8000
Connection 6.3" (100) [dB]	10.2	19.5	26.1	26.4	37.3	48.9	53.7	38.8
Connection 7.0" (180) [dB]	12.4	19.6	22.7	25.2	37.7	49.3	52.6	37.8

1x end plate CW-P520 - 6.3" (100)/7.0" (180) + 1x silencer CW-S520 + 1x mounting plate CW-M520-10 x 3" (75)

Frequency Hz	63	125	250	500	1000	2000	4000	8000
Connection 6.3" (100)/7.0" (180) [dB]	16.6	14.6	14	17.3	29.9	31.6	33.3	29.4

1x end plate CW-P520 - 6.3" (100)/7.0" (180) + 2x silencers CW-S520 + 1x mounting plate CW-M520-10 x 3" (75)

Frequency Hz	63	125	250	500	1000	2000	4000	8000
Connection 6.3" (100)/7.0" (180) [dB]	17.5	16.9	25.8	28.2	40	50.6	53.1	46.2