

always the  
best climate

**zehnder**

## Silencer and Distribution System

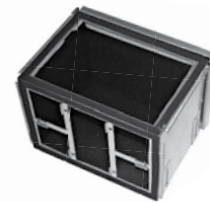
## Zehnder ComfoWell 320

### Benefits

- All air treatment functions available: silencer, fine filter, active carbon filter, manifold box
- Modular design
- Compact dimensions
- Easy to clean
- Components connected with sliding profiles for easy mounting
- Pipes connected by end pieces with sleeves
- Directly connected to all components of the ComfoWell system
- Very good sound attenuation
- Two silencers can be used in series for maximum sound reduction
- Mounting set available for vertical mounting of silencer on ComfoAir 200
- High-efficiency fine filters up to filter class MERV15 available
- Odour neutralisation by active carbon filter
- Components available in width of 8.7" to connect 6 ComfoTubes 3" (75) or 6 ComfoFlex 75



ComfoWell silencer



ComfoWell manifold box



ComfoWell filter housing

### Article number

Designation	Art. no.	Reference No
Silencer CW-S 320	990 323 501	9319
Manifold box CW-D 320	990 323 531	9331
Filter housing CW-F 320	990 323 551	9333

always the  
best climate

**zehnder**

## Silencer and Distribution System

## Zehnder ComfoWell 320

### Description

**Silencer:** Zehnder ComfoWell silencer CW-S 320. Compact rectangular silencer with high-efficiency special sound absorbing foam and low pressure losses. The silencer can be used on its own or in combination with any add-on from the ComfoWell system. It is connected to all add-ons with a folded joint and clamping rail to create an airtight seal. The sound absorbing element can be removed for inspection and cleaning. The silencer is mounted on a wall or ceiling with height-adjustable mounting brackets. Mounting accessories are supplied with the unit.

#### Technical data:

Insertion loss: 12.8 dB / 250 Hz

Housing: Galvanised sheet steel

Sound absorbing element: Special foam with hygienic coating

Dimensions:

Length: 19.7"

Depth: 12.6"

Height: 9.0"

### Manifold box

Zehnder ComfoWell Manifold Box CW-D 320. Compact sound-absorbing manifold box with closed-cell inner lining, fits mounting plate for ComfoTube 6 x 3" (75) or 6 x ComfoFlex 75 ventilation pipes. The mounting plate connection can be moved from the front to the side. The manifold box can be used on its own or in combination with any add-on. It is connected to all add-ons with a folded joint and clamping rail to create an airtight seal. The manifold box features an access panel for easy cleaning and adjustment of the ComfoTube ventilation pipes. Mounting accessories are supplied with the unit.

Material: Galvanised sheet steel

Dimensions:

Length: 9.0"

Width: 12.6"

Height: 9.0"

### Filter housing

Zehnder ComfoWell Filter Housing CW-F 320. Compact filter housing for mounting in supply line, to accommodate pollen filter MERV13 or active carbon filter element. Filter elements are not supplied with the unit. The manifold box can be used on its own or in combination with any add-on from the ComfoWell system. It is connected to all add-ons with a folded joint and clamping rail to create an airtight seal. It is mounted with adjustable mounting brackets; mounting accessories are included.

Material: Galvanised sheet steel

Dimensions:

Length: 11.8"

Width: 12.6"

Height: 9.0"

always the  
best climate

**zehnder**

## Silencer and Distribution System

## Zehnder ComfoWell 320

### Specifications

Material:

Housing: Galvanised steel

Inner lining: Closed-cell melamine resin foam

Permissible operating temperature range: -13°F to 140°F

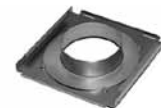
Maximum airflow: 141cfm at normal ventilation level

### Accessories

Designation	Art. no.	Reference No
Mounting plate CW-M 320 T	990 323 671	9586
End plate CW-P 320 – 5" (125)	990 323 511	9354
End plate CW-P 320 – 6" (150)	990 323 562	9372
End plate CW-P 320 – 7" (180)	990 323 527	9322
Fine dust filter CW-F7 320 (MERV 13)	990 323 602	9302
Fine dust filter CW-F9 320 (MERV 15)	990 323 604	9343
Fine dust filter CW-FC 320	990 323 605	9355



Mounting plate



End plate



Fine dust filter MERV13



Fine dust filter MERV15



Active carbon filter FC



Mounting kit

### Description of accessories

#### Mounting plate:

Zehnder ComfoWell Mounting Plate CW-M320T-6 x 3" (75) for connecting 6x Zehnder ComfoTube or ComfoFlex ducts. Supplied with guard, clamp rails, plug and ports.

#### End plate:

Zehnder ComfoWell End Plate CW-P 320 - DN125/150/180 (with central support) for connecting the ComfoWell silencer and distribution system to a DN125/150/180 round duct. Clamping rails included.

#### Filter:

Filter for mounting in filter housing CW-F 320. Available filter classes include MERV13, MERV15 and an active carbon filter for odour neutralisation.

#### Mounting set:

A special mounting set is available for the Zehnder ComfoWell 320 silencer and distribution system for direct mounting on the ComfoAir 350 ventilation unit. The set includes all the necessary accessories (screws, brackets and mounting brackets).

always the  
best climate

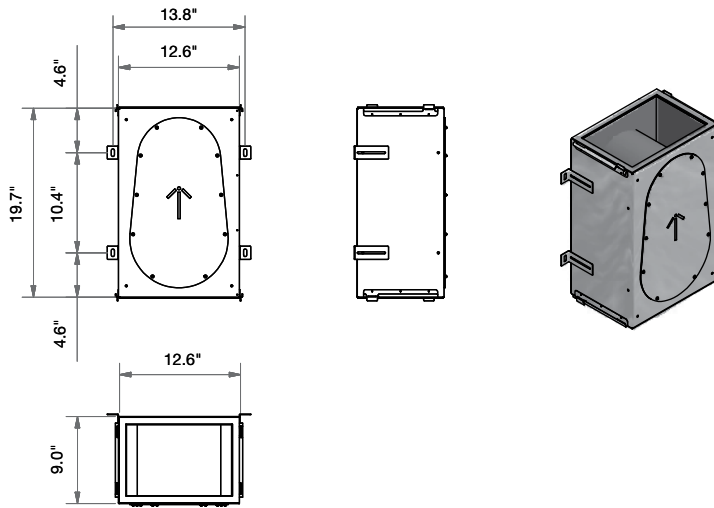
**zehnder**

Silencer and Distribution System

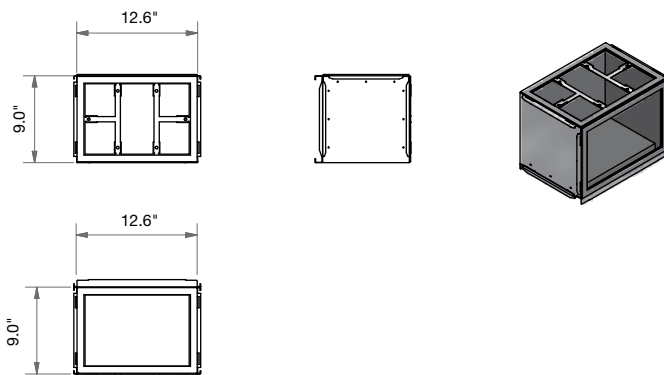
Zehnder ComfoWell 320

Dimensional drawings

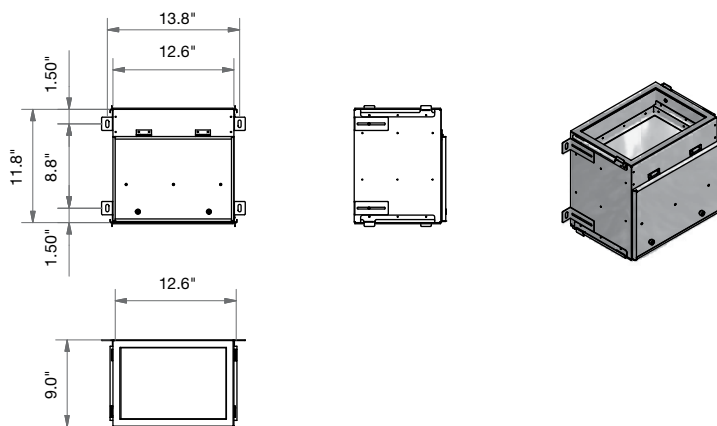
Silencer  
Attenuator



Manifold box



Filter housing



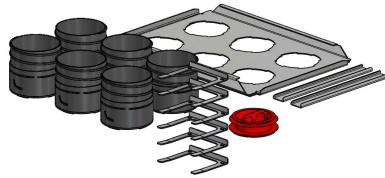
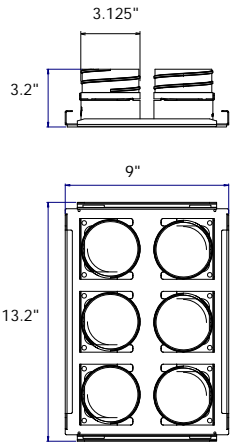
always the  
best climate

**zehnder**

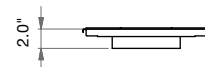
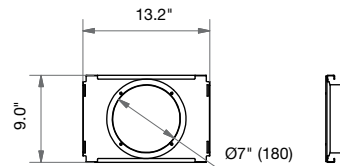
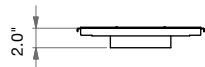
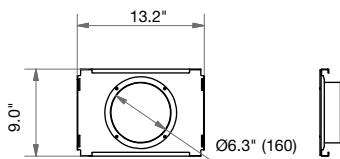
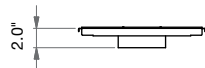
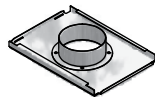
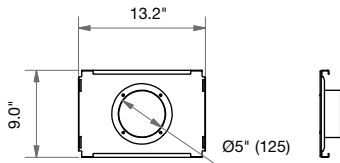
Silencer and Distribution System

Zehnder ComfoWell 320

Mounting plates



End plate



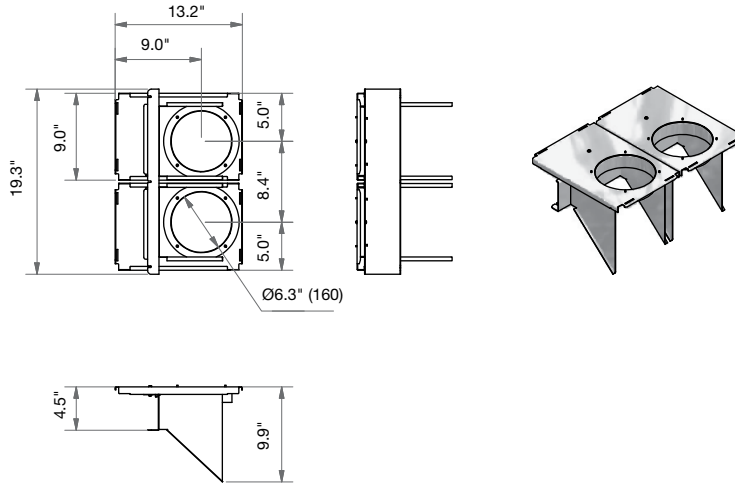
always the  
best climate

**zehnder**

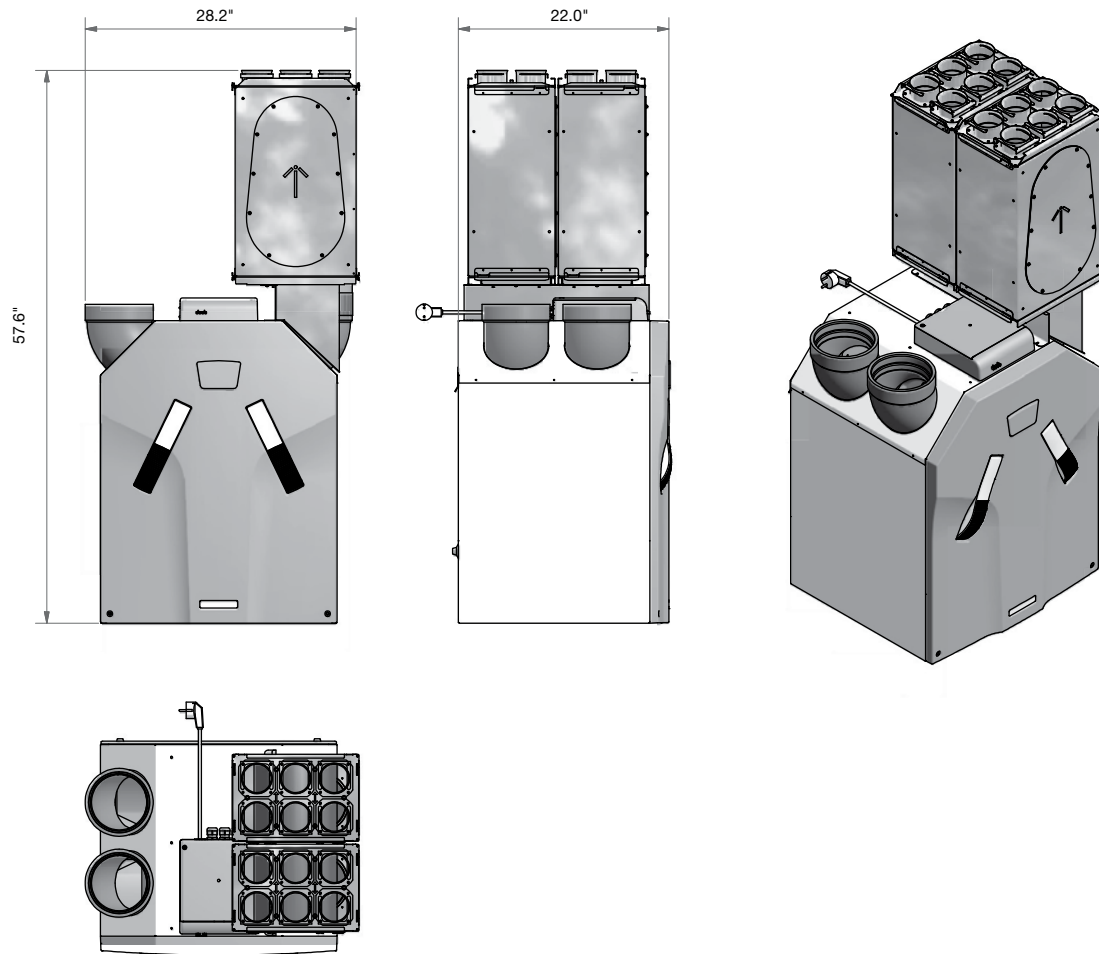
Silencer and Distribution System

Zehnder ComfoWell 320

Mounting set CA 350



ComfoAir 350 with mounting set (Right hand configuration shown)



always the  
best climate

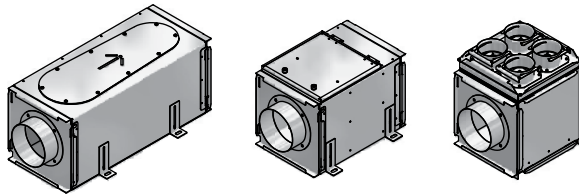
**zehnder**

Silencer and Distribution System

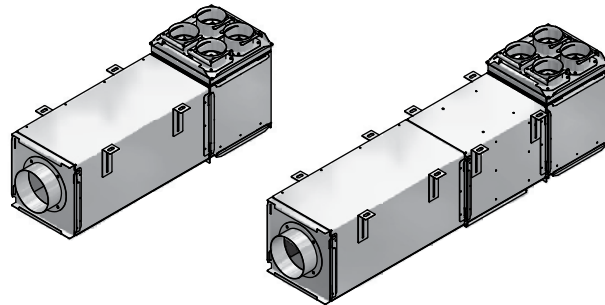
Zehnder ComfoWell 320

Usage scenarios

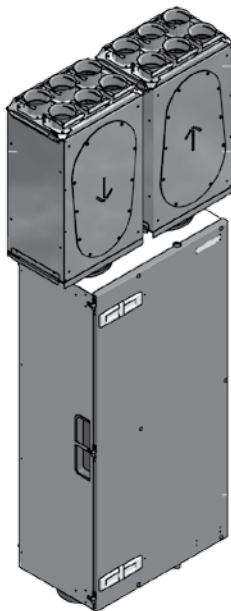
Standalone



Combined



Compact with ventilation unit



always the  
best climate

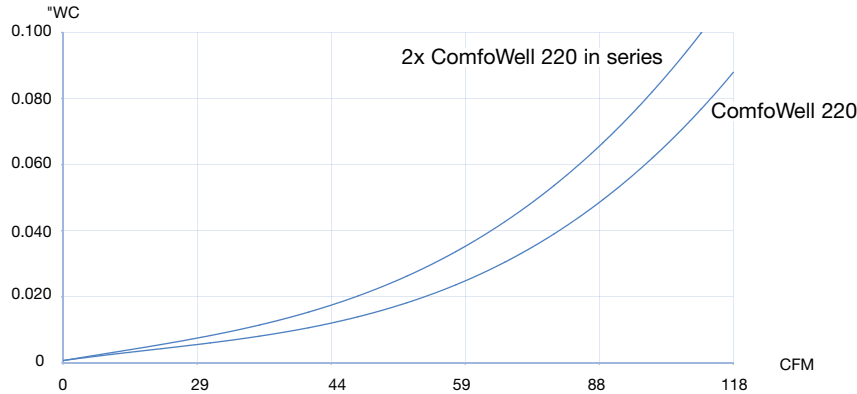


Silencer and Distribution System

Zehnder ComfoWell 320

Pressure losses

ComfoWell silencer CW-S220 with end plate CW-P220 - 5" (125)



Insertion loss

1x end plate CW-P220 - 5" (125) + 1x silencer CW-S220 +  
1x end plate CW-P220 - 5" (125)

Frequency Hz	63	125	250	500	1000	2000	4000	8000
Connection DN 125 [dB]	5.3	17.6	12.8	14.6	17.5	32.3	36.6	37.8

1x end plate CW-P220 - 5" (125) + 2x silencers CW-S220 +  
1x end plate CW-P220 - 5" (125)

Frequency Hz	63	125	250	500	1000	2000	4000	8000
Connection DN 125 [dB]	8.8	23.9	23.1	25.7	32.4	53.3	57.6	56.6

1x end plate CW-P220 - 5" (125) + 1x silencer CW-S220 +  
1x mounting plate CW-M220T

Frequency Hz	63	125	250	500	1000	2000	4000	8000
Connection DN 125 [dB]	18.7	14.4	19.8	18.3	22.1	34.7	34.4	37.8

1x end plate CW-P220 - 5" (125) + 2x silencers CW-220  
1x mounting plate CW-M220T

Frequency Hz	63	125	250	500	1000	2000	4000	8000
Connection DN 5" (125) [dB]	19.9	19.6	29.3	29.8	37.8	53.5	56.8	56.4